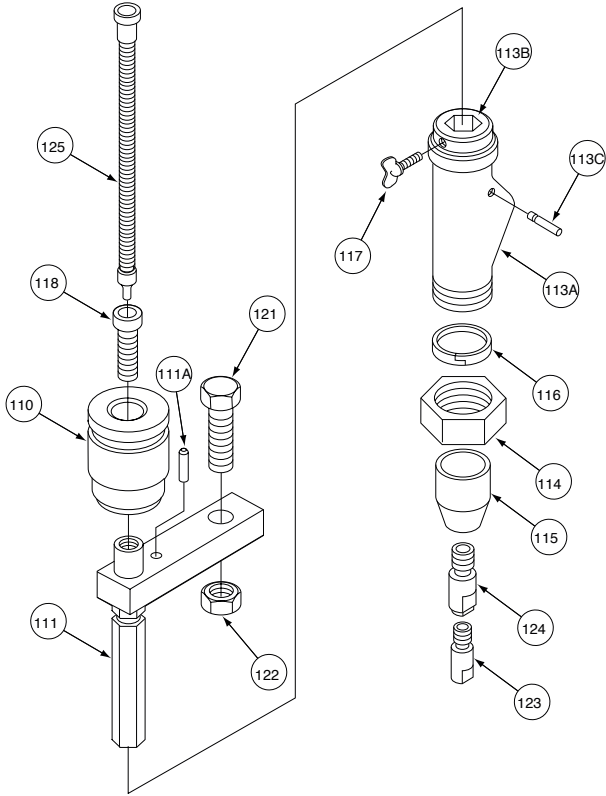


# K231-1 Contact Nozzle Assembly

This Nozzle Inset is not required when using 1/8" or larger wire



ITEM	DESCRIPTION	Part #	QTY
	*These parts are included with the K231-1		
For LT-34 ONLY, order Items 119, 120, and 125 separately.			
Nozzle Assembly		<b>9SM8241-1</b>	
110	Nozzle Insulator	9SS10493-1	1
111	Nozzle Body	9SS10157	1
111A	Roll Pin	9ST9967-10	1
113A	Cone Body Assembly, Includes:	9SM8249	1
113B	Flux Cone Plug	9SS10138	1
113C	Roll Pin	9ST9967-30	1
114	Retaining Nut	9SS10147	1
115	Flux Cone	KP2085-1	1
116	Locking Ferrule	9ST10574	1
117	Thumb Screw	9ST9078-1	1
118	Special Socket Head Screw	9ST10570	1
* 119	Rubber Flux Tube (Not Shown)	9ST10642-2	1
119	Rubber Flux Tube, LT34 Only (Not Shown)	9ST10642-10	1
* 120	Steel Flux Tube (Not Shown)	9ST6996-9	1
120	Steel Flux Tube, LT34 Only (Not Shown)	9SS10487	1
* 121	Hex Head Screw - Lead to Nozzle	9SCF000052	1
* 122	Hex Nut	9SCF000027	1
123	Contact Tip 7/32 Wire Size	KP1962-5B1	1
	3/16 Wire size	KP1962-2B1	1
	* 5/32 Wire Size	KP1962-4B1	1
	* 1/8 Wire Size	KP1962-1B1	1
	3/32 Wire Size	KP1962-3B1	1
	3/32 Wire Size; (3/8-24 Thread) Old Style	KP2082-1B1	1
	* 3/32 Wire Size; (5/16-18 Thread - See Note 1)	KP2100-3B1	1
	5/64 Wire Size; (3/8-24 Thread) Old Style	KP2082-2B1	1
	5/64 Wire Size; (5/16-18 Thread - See Note 1)	KP2100-4B1	1
	1/16 Wire Size; (5/16 -18 Thread - See Note 1)	KP2100-2B1	1
124	Adapter (3/8-24 Female Thread) for 3/32 and 5/64 KP2082 Tips	See Note 2	1
* 124	Adapter (5/16-18 Female Thread) for .035 thru 3/32 KP2100 Tips	KP1992-1	1
* 125	Nozzle Inset for 3/32 and 5/64 Wire (For NA-[ ])	9SS15106-3/32	1
125	Nozzle Inset for 5/64 Wire (For LAF-[ ] & LT-34)	KP2121-2	1
	Nozzle Extension (5.38" long) (For 3/32 & Larger Wire)	KP2721-1	As Req'd

Note 1 When KP2100 - [ ] tip life is limited by tip being fused over, the use of KP2105- [ ] tips may result in a lower overall cost.

Note 2 This part is no longer available, order Adapter KP1992-1 and the appropriate KP2100 Tips or KP2105 Tips.